



SC Outer Shutter Adapter

SC Siplmex Outer shutter adapter SC Duplex Outer shutter adapter

Description

It contains the interconnect sleeve, that holds the two ferrules together. It is used to provide a cable to cable fiber connection.

Feature

- High precision of mechanical dimensions
- High reliability & stability
- Ceramic or Bronze Sleeve
- Phosphor Bronze Sleeve and Zirconia Ceramic Sleeve Available
- All parts compliant with ROHS
- Compliant with Telcordia and IEC



Application

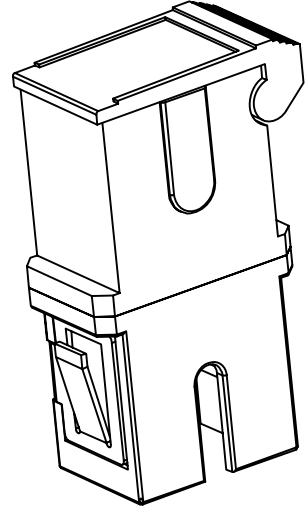
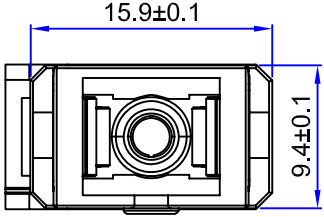
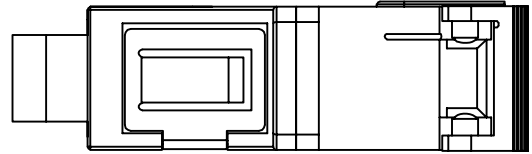
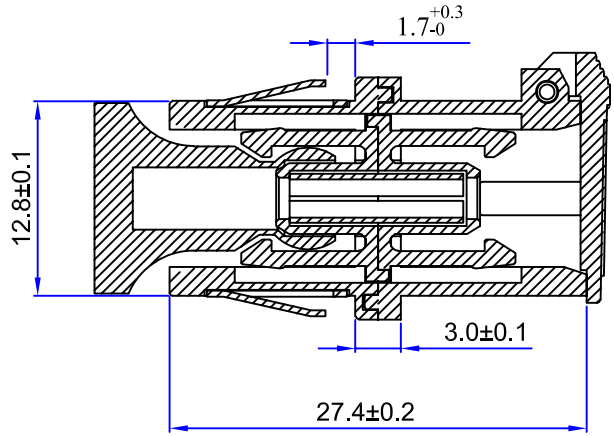
- Telecom network
- Ethernet network
- Optical communication equipment
- Local Area Networks(LANs)
- Data processing networks

Specification:

Items	Insertion Loss	Mechanical resistance	Repeatability	Operating Temperature
SM/PC	≤0.2dB	200-600g	<0.2dB(1000times)	-40℃~+85℃
SM/APC	≤0.2dB	200-600g	<0.2dB(1000times)	-40℃~+85℃
MM/PC	≤0.2dB	200-600g	<0.2dB(1000times)	-40℃~+85℃

A B C D E F G H

1
2
3
4
5
6



Technical Requirements:

1.The dimensions showing on the drawing are just for reference.

Title	SC Shutter Adaptor Simplex without flange		
Drawing	Steven	Item No:	
Check	Henry	Drawing No:	
Approval	Williams		
Date	2018	Page: 1-1	曦和光电科技有限公司 XH Opto Tech Co.,LTD

A B C D E F G H

1

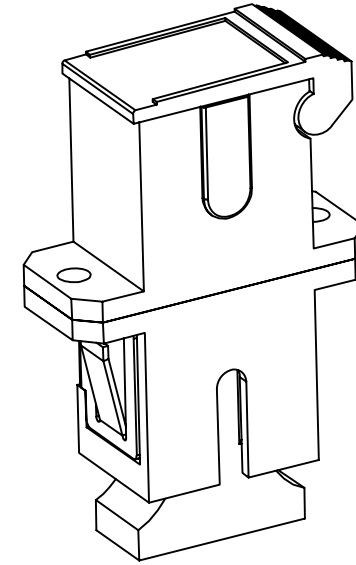
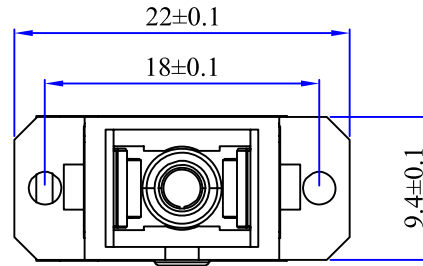
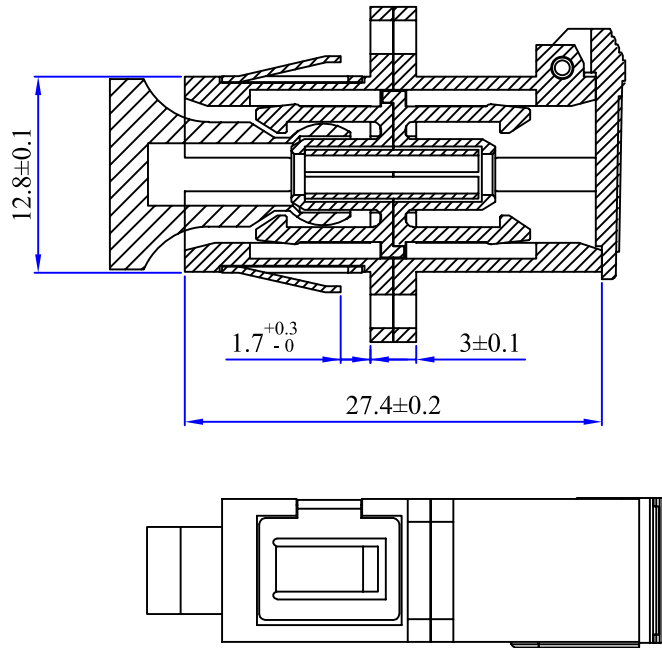
2

3

4

5

6



Technical Requirements:

1. The dimensions showing on the drawing are just for reference.

Title	SC Shutter Adaptor Simplex with flange		
Drawing	Steven	Item No	
Check	Henry	Drawing No:	
Approval	Williams		
Date	2018	Page: 1-1	曦和光电科技有限公司 XH Opto Tech Co.,Ltd

A B C D E F G H

1

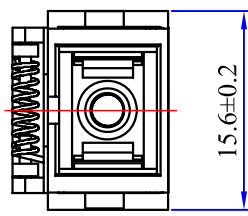
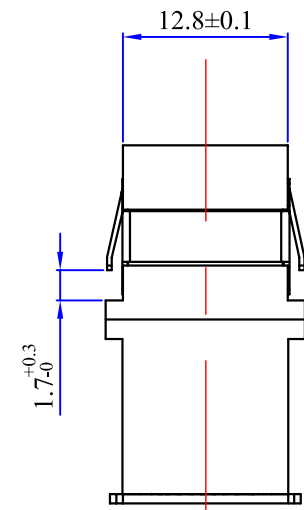
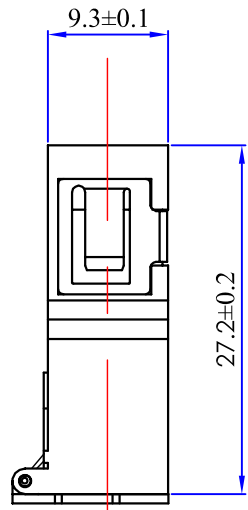
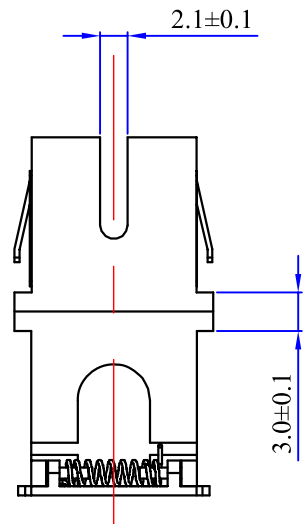
2

3

4

5

6



Technical Requirements:

1.The dimensions showing on the drawing are just for reference.

Title	SC Shutter Adaptor Simplex without flange		
Drawing	Steven	Item No:	
Check	Henry	Drawing No:	
Approval	Williams		曦和光电科技有限公司 XH Opto Tech Co.,LTD
Date	2018	Page: 1-1	

A B C D E F G H

1

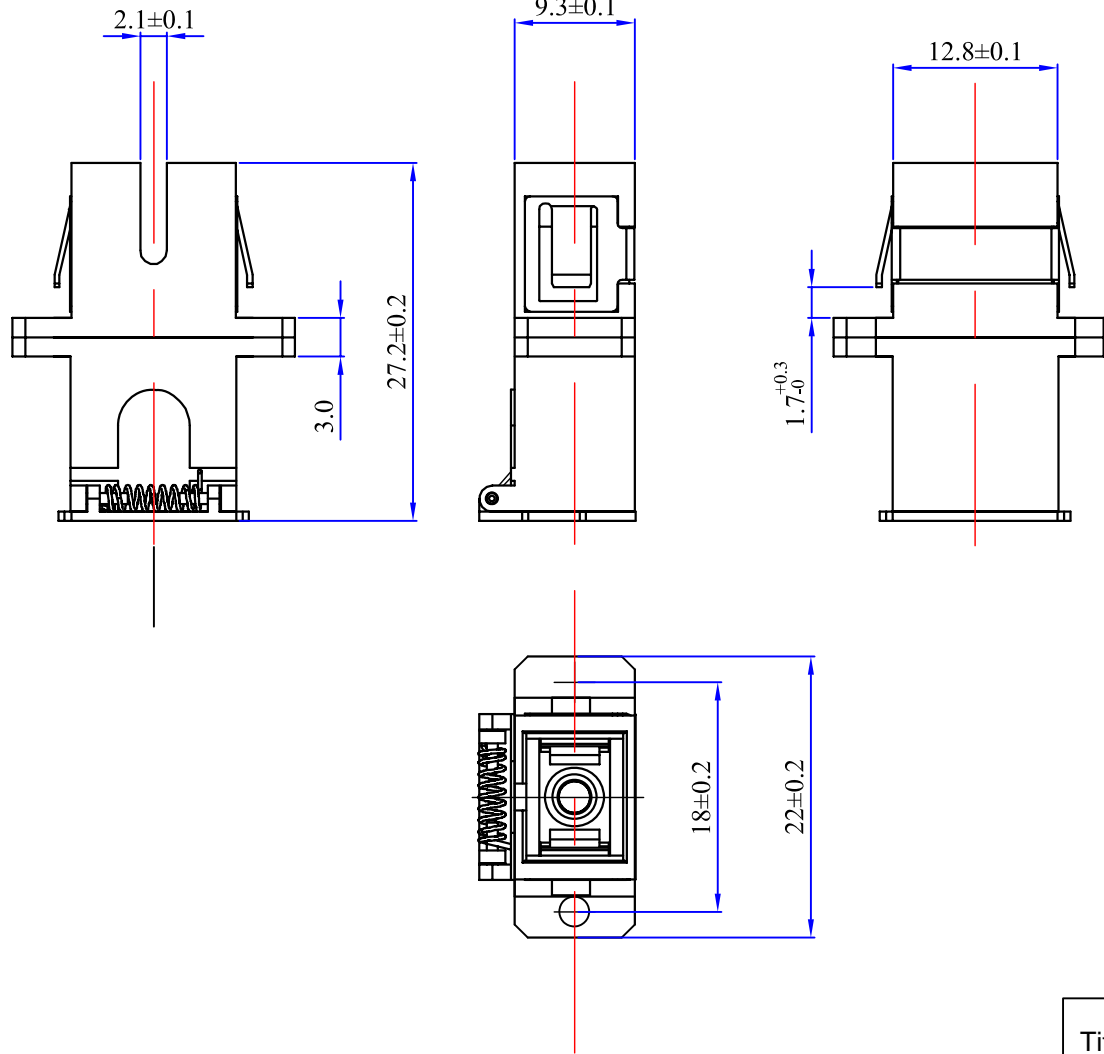
2

3

4

5

6



Technical Requirements:

1.The dimensions showing on the drawing are just for reference.

Title	SC Shutter Adaptor Simplex with flange		
Drawing	Steven	Item No:	
Check	Henry	Drawing No:	
Approval	Williams		曦和光电科技有限公司
Date	2018	Page: 1-1	XH Opto Tech Co.,LTd